

Kohler

PA-CH680-3130

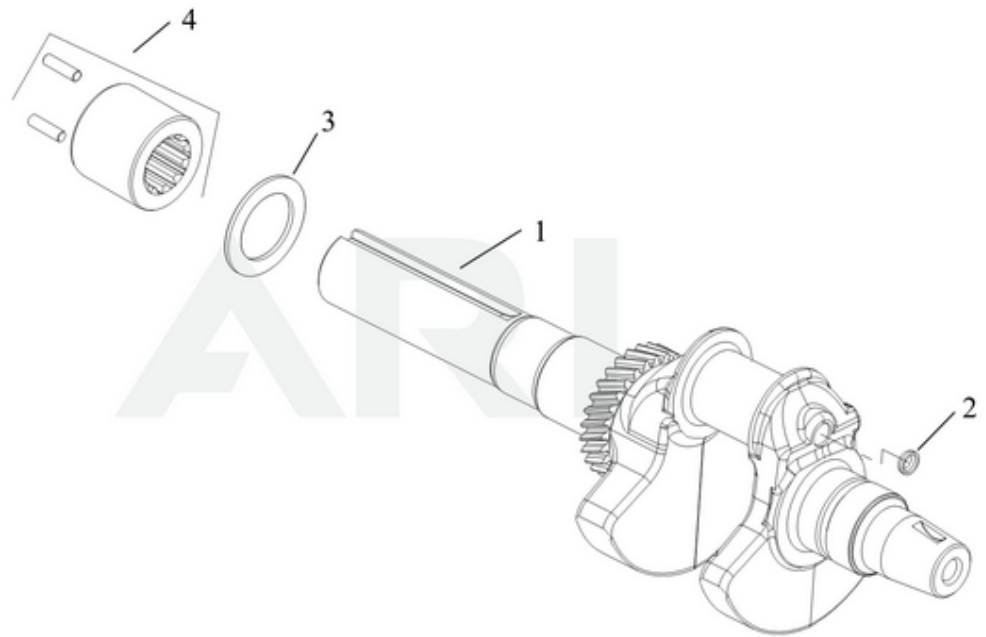
Illustrated Parts List



CH680-3130 Toro - 01 CrankShaft

GROUP 1-CRANKSHAFT

CH18,CH20,CH22,CH23,CH25,CH620,CH640,CH670,CH680,CH730,CH740,CH750



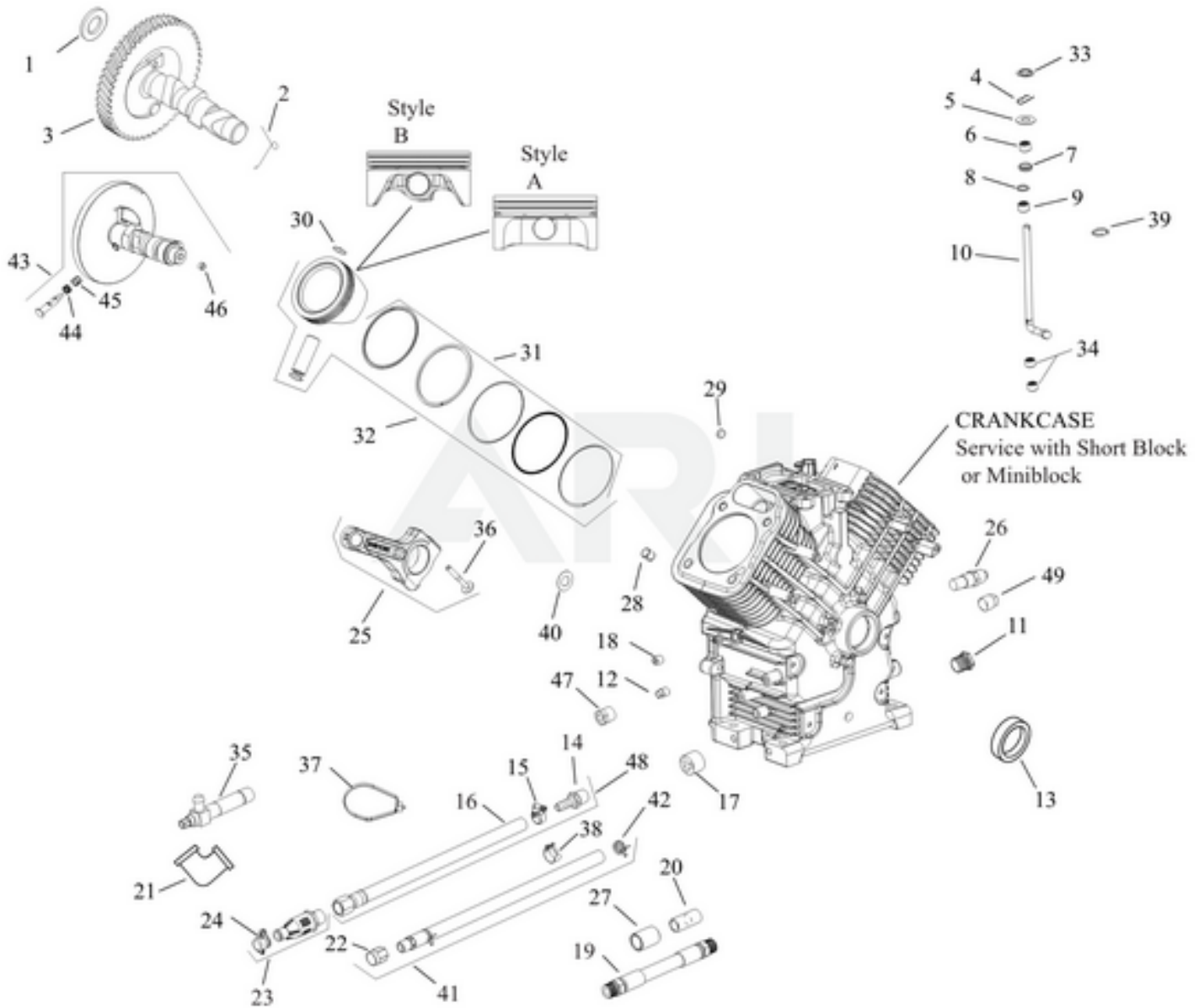
ILLUSTRATIONS ARE REPRESENTATIVE - NOT INTENDED TO SHOW ALL DETAILS

Ref #	Part #	Description	Qty	Context Note
1	24 014 357-S	CRANKSHAFT, NON-THRUST STYLE	1	
2	52 139 09-S	PLUG, CUP	1	

CH680-3130 Toro - 02 CrankCase

GROUP 2-CRANKCASE

CH18,CH20,CH22,CH23,CH25,CH620,CH640,CH670,CH680,CH730,CH740,CH750



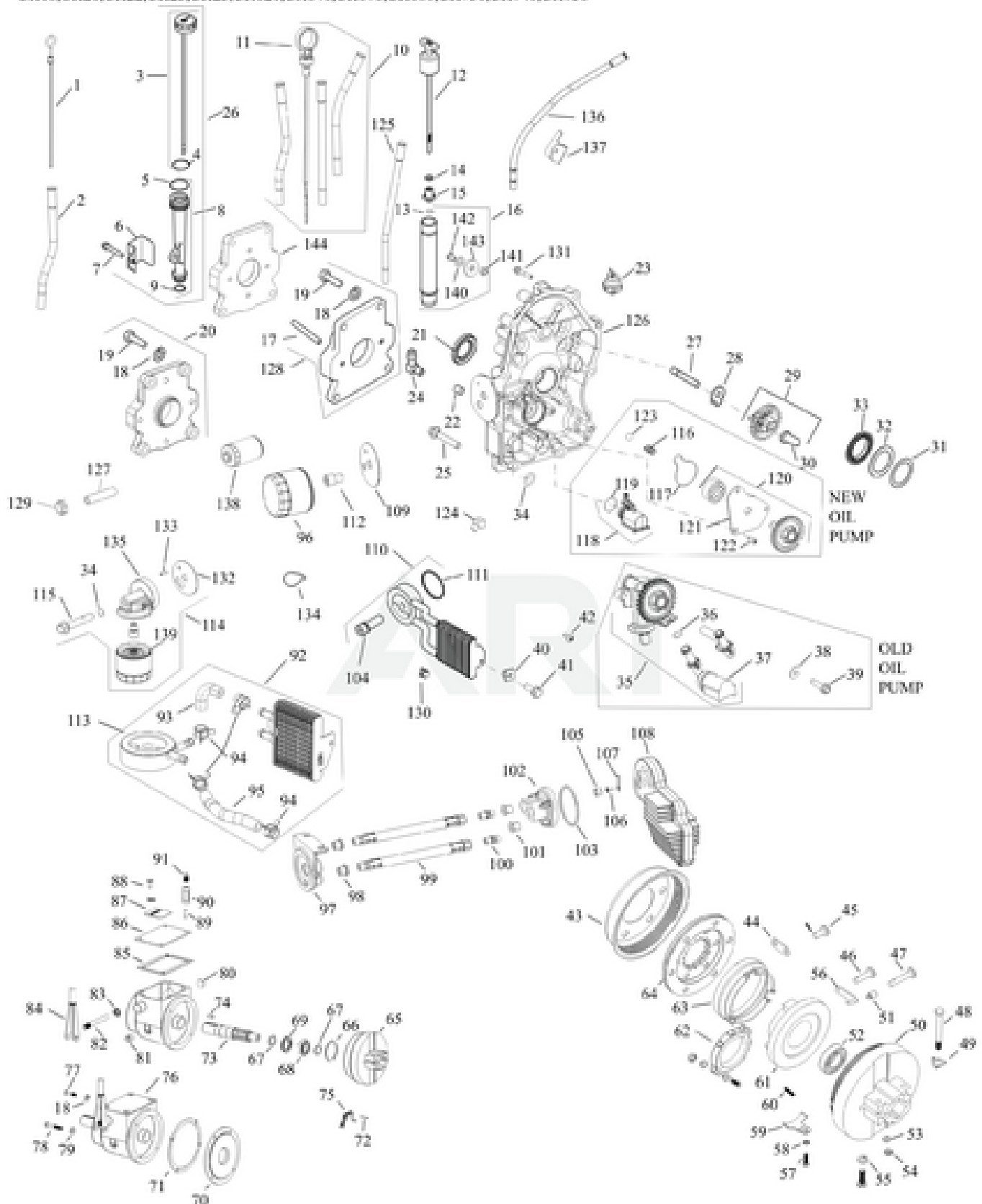
ILLUSTRATIONS ARE REPRESENTATIVE - NOT INTENDED TO SHOW ALL DETAILS

Ref #	Part #	Description	Qty	Context Note
3	24 012 29-S	KIT, CAMSHAFT	1	
5	M-931010-S	WASHER, FLAT 9 MM	1	
7	28 032 09-S	SEAL, GOVERNOR CROSS SHAFT	1	
8	24 468 15-S	WASHER, FLAT 11/32"	1	
10	24 144 38-S	SHAFT, GOVERNOR CROSS	1	
13	24 032 19-S	SEAL, OIL (HELIX LIP)	1	
25	25 067 04-S	ROD, ASSEMBLY CONNECTING	2	
28	24 380 16-S	PIN, LOCATING	6	
29	52 139 09-S	PLUG, CUP	1	
30	24 018 01-S	RETAINER, PISTON PIN	4	
31	24 108 18-S	USE PISTON ASSY PER SPEC - DISC	2	
31	24 108 19-S	RING SET (.08) STYLE A - (#DSC)	2	
31	24 108 20-S	RING SET (.25) STYLE A - DISC	2	
31	24 108 21-S	RING SET (.50)STYLE A-(#2410829S)	2	
31	24 108 26-S	RING SET (STD) STYLE B	2	
31	24 108 27-S	RING SET (.08) STYLE B	2	
31	24 108 28-S	RING SET (.25) STYLE B	2	
31	24 108 29-S	RING SET (.50) STYLE B	2	
32	24 874 42-S	KIT,PISTON (STD) STYLE A -(#2487454S)	2	
32	24 874 43-S	KIT,PISTON (.08) STYLE A-USE 24 874 55-S	2	
32	24 874 44-S	KIT,PISTON (.25) STYLE A - (#2487456S)	2	
32	24 874 45-S	KIT, PISTON (.50) STYLE A	2	
32	24 874 54-S	KIT, PISTON (STD) STYLE B	2	
32	24 874 55-S	KIT, PISTON (.08) STYLE B-(#DSC)	2	
32	24 874 56-S	KIT, PISTON (.25) STYLE B	2	
32	24 874 57-S	KIT, PISTON (.50) STYLE B	2	
33	24 018 09-S	RETAINER, RING	1	
36	25 086 452-S	KIT, ROD BOLTS-(#25086677S)	2	
49	25 139 57-S	PLUG, SQ HD PIPE 3/8"	2	

CH680-3130 Toro - 03 Lubrication

GROUP 3-LUBRICATION

CH18,CH20,CH22,CH23,CH25,CH620,CH640,CH670,CH680,CH730,CH740,CH750



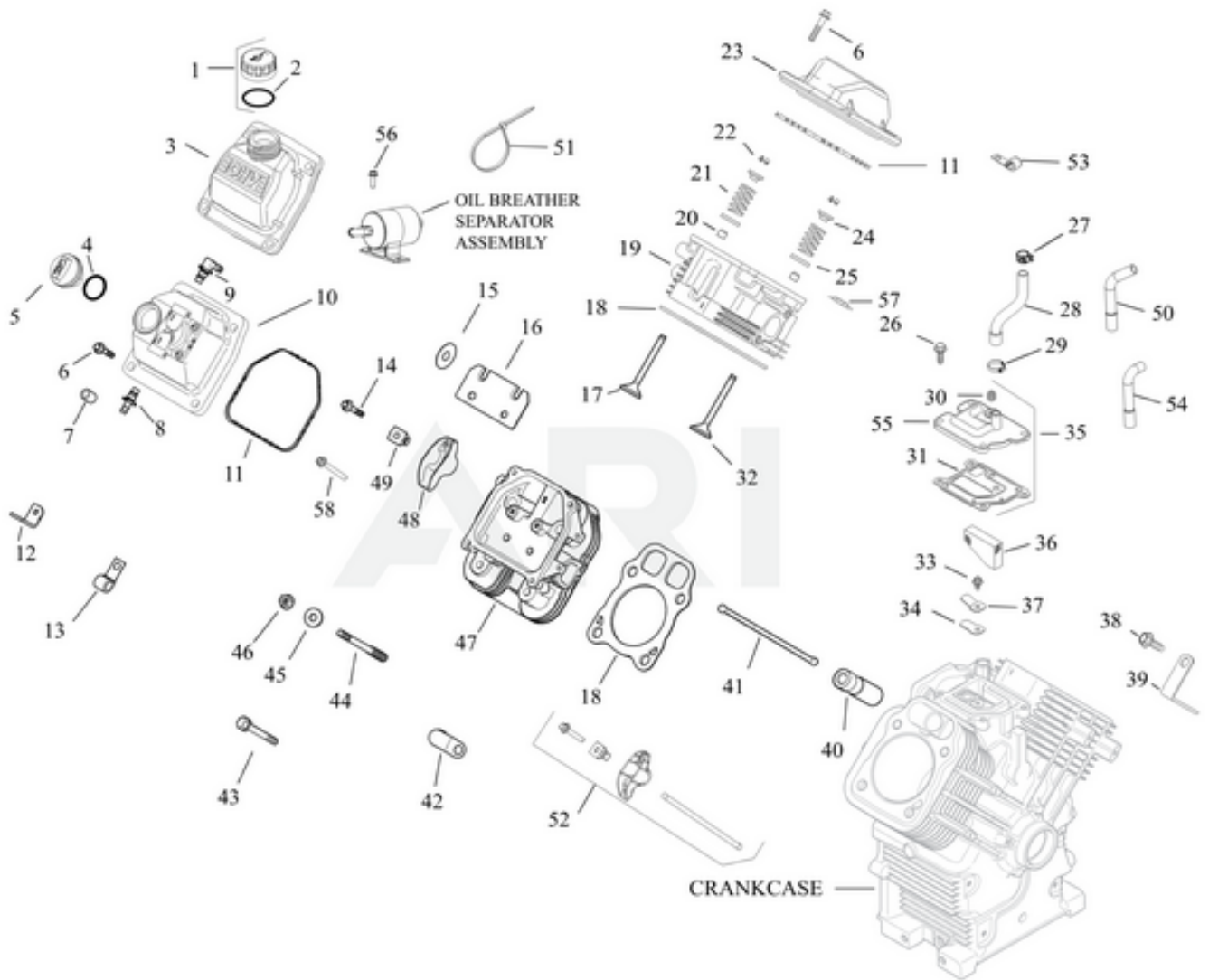
ILLUSTRATIONS ARE REPRESENTATIVE - NOT INTENDED TO SHOW ALL DETAILS

Ref #	Part #	Description	Qty	Context Note
10	24 755 121-S	KIT, DIPSTICK/DIPSTICK TUBES	1	
11	24 038 10-S	DIPSTICK	1	
21	25 032 06-S	OIL SEAL	1	
23	25 099 27-S	SENSOR, OIL PSI	1	
24	25 155 02-S	CONNECTOR, 90 DEG. HOSE	1	
25	24 086 17-S	SCREW, FLG M8X1.25X45	9	
27	12 144 02-S	SHAFT, GOVERNOR GEAR	1	
28	24 448 02-S	TAB, LOCKING	1	
29	24 043 12-S	KIT, GOVERNOR GEAR W/PIN	1	
30	12 380 01-S	PIN, GOVERNOR REGULATING	1	
34	24 153 08-S	O-RING	1	
36	24 153 01-S	O-RING, OIL PICK-UP	1	
96	12 050 01-S	OIL FILTER	1	
112	24 136 09-S	NIPPLE, OIL FILTER	1	
113	24 029 77-S	ADAPTER, OIL FILTER	1	
115	24 211 01-S	BOLT, OIL FILTER ADAPTER	1	
116	24 089 74-S	SPRING, COMPRESSION	1	
117	24 153 33-S	SEAL, OIL PUMP COVER	1	
118	24 381 13-S	PICK-UP ASSEMBLY, OIL	1	
119	24 153 34-S	O-RING, OIL PICK-UP	1	
120	24 393 70-S	PUMP ASSEMBLY, OIL	1	
121	24 096 151-S	COVER, OIL PUMP	1	
122	25 086 414-S	SCREW, BUTTON HEAD	3	
123	25 194 03-S	PRESSURE RELIEF BALL	2	
126	24 009 238-S	KIT, CLOSURE PLATE ASSY	1	
131	25 086 317-S	SCREW, HEX FLANGE	1	
132	24 041 88-S	GASKET, OIL FILTER ADAPTER	1	
133	24 380 09-S	PIN, ROLL	1	

CH680-3130 Toro - 04 CylinderHead/Breather

GROUP 4-HEAD/VALVE BREATHER

CH18,CH20,CH22,CH23,CH25,CH620,CH640,CH670,CH680,CH730,CH740,CH750



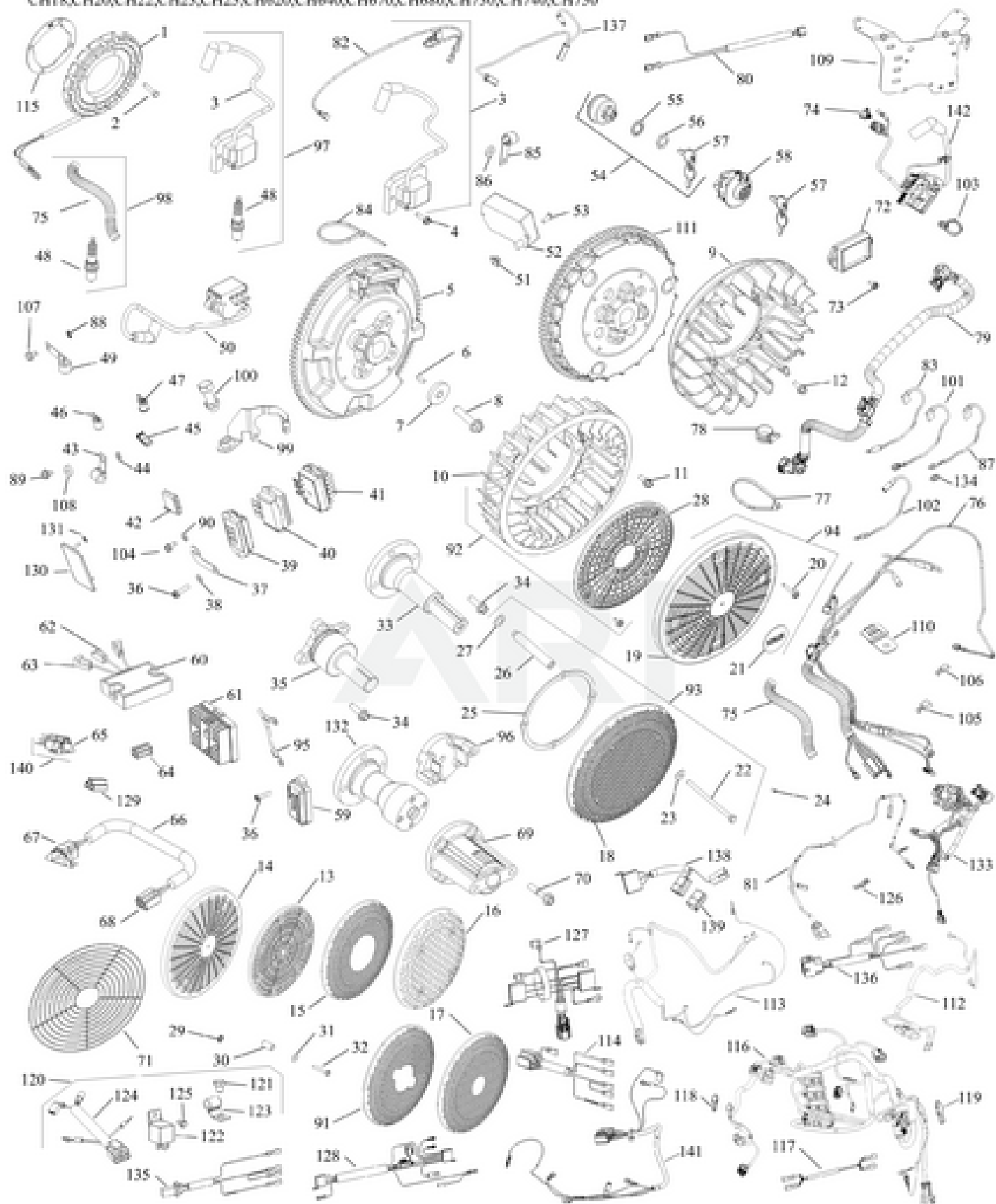
ILLUSTRATIONS ARE REPRESENTATIVE - NOT INTENDED TO SHOW ALL DETAILS

Ref #	Part #	Description	Qty	Context Note
1	24 755 46-S	KIT, OIL FILL CAP (YELLOW)	1	
2	25 153 02-S	O-RING, DIPSTICK	1	
3	24 755 140-S	KIT, VALVE COVER-OIL FILL	1	
6	M-651030-S	SCREW, FLG M6X1.0X30	8	
11	24 153 30-S	O-RING (YELLOW), VALVE CO	2	
17	32 016 01-S	VALVE, EXHAUST	2	
17	32 016 02-S	VALVE, EXHAUST (.25)	2	
18	24 841 02-S	KIT, GSKT CYL HD (C22-23 674CC)	2	
19	24 318 218-S	KIT, CYLINDER HEAD (#1)-(#2481803S)	1	
20	25 032 14-S	SEAL, VALVE BAND	2	
21	24 089 02-S	SPRING, VALVE	4	
22	12 755 03-S	KIT, RETAINER	8	
23	24 755 141-S	KIT, VALVE COVER-PLAIN (PLASTIC)	1	
24	25 173 28-S	CAP, VALVE SPRING	4	
25	235011-S	RETAINER, SPRING	4	
26	25 086 758-S	SCREW, THREAD FORMING	4	
27	25 237 37-S	SPRING CLAMP, HOSE	1	
28	24 326 89-S	KIT, BREATHER HOSE AND CLAMP	1	
31	24 041 67-S	GASKET, BREATHER	1	
32	24 017 01-S	VALVE, INTAKE (STD)	2	
32	24 017 02-S	VALVE, INTAKE (.25)	2	
33	M-545010-S	SCREW, FLG THD FRM M5X.8X10	1	
34	24 402 03-S	REED, BREATHER-(#2440206S)	1	Before S/N 4923100011
34	24 402 06-S	REED, BREATHER	1	After S/N 4923100001
36	24 050 11-S	FILTER, BREATHER	1	
37	66 018 04-S	RETAINER, REED	1	
38	25 086 395-S	SCREW, THREAD FORMING	2	
39	25 445 03-S	STRAP, LIFT	2	
40	25 351 10-S	LIFTER, VALVE HYDRAULIC-USE 25 351 11-S	4	
41	24 411 05-S	ROD, PUSH	4	
43	62 086 08-S	SCREW, FLG M10X1.5X90	8	
47	24 318 219-S	KIT, CYLINDER HEAD (#2)-(#2481804S)	1	
48	25 186 01-S	ARM, ROCKER	4	
49	24 599 02-S	PIVOT, ROCKER ARM	4	
51	25 454 05-S	TIE	1	
52	24 755 66-S	KIT, VALVE TRAIN	4	
55	24 096 163-S	COVER, BREATHER	1	
57	24 018 05-S	RETAINER, VALVE GUIDE (KM)	4	
58	25 086 764-S	SCREW, HEX FLANGE (SILVER) M6X1.0X45	4	

CH680-3130 Toro - 05 Ignition/Charging

GROUP 5-IGNITION

CH18,CH20,CH22,CH23,CH25,CH640,CH640,CH670,CH680,CH730,CH740,CH750



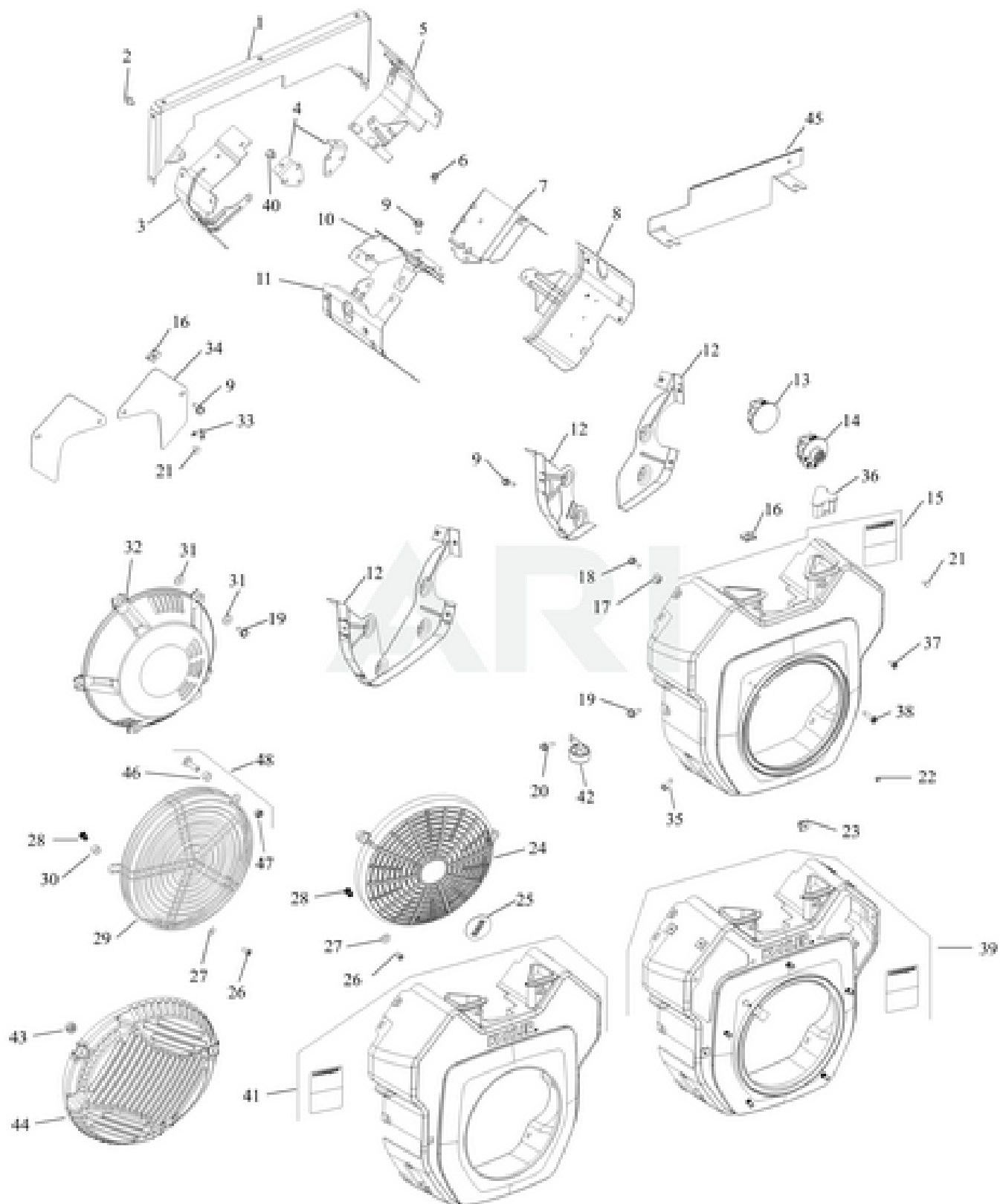
ILLUSTRATIONS ARE REPRESENTATIVE - NOT INTENDED TO SHOW ALL DETAILS

Ref #	Part #	Description	Qty	Context Note
1	28 085 02-S	KIT, 25 AMP STATOR ASSY.	1	
1	54 755 03-S	KIT, 25 AMP CONVERSION-DISCONTINUED	1	
2	25 086 412-S	SCREW, THREAD FORMING	2	
3	24 584 45-S	KIT MODULE IGTN	2	
4	25 086 472-S	SCREW, THREAD FORMING	4	
5	24 025 55-S	FLYWHEEL	1	
6	X-42-15-S	KEY, 3/16" X 5/8"	1	
7	12 468 03-S	WASHER, FLAT 13/32"	1	
8	12 086 14-S	SCREW, FLG M10X1.5X45-USE 25 086 361-S	1	
10	24 157 11-S	FAN-USE 24 755 253-S	1	
11	25 086 47-S	BOLT, SHOULDER	4	
20	25 086 126-S	SCREW, SEMS DOG POINT	4	
28	24 162 43-S	SCREEN, GRASS	1	
33	24 144 17-S	SHAFT, FRONT DRIVE	1	
34	M-839025-S	SCREW, FLG M8X1.25X25	4	
36	25 086 157-S	SCREW, HEX FLANGE HI-LO	2	
41	25 403 39-S	REGULATOR, RECT (20-30AMP, FW W/OVP)	1	
42	25 155 41-S	CONNECTOR	1	
43	235173-S	CLIP, CABLE	1	
47	210281-S	CLIP	1	
48	12 132 02-S	PLUG, SPARK (STD)	2	
76	24 176 92-S	HARNESS, WIRING	1	
77	25 454 07-S	TIE	2	
84	25 454 05-S	TIE	2	
87	25 518 34-S	LEAD, 20/25 AMP B+	1	
95	24 518 43-S	LEAD	1	
104	25 086 693-S	SCREW, THREAD FORMING	1	

CH680-3130 Toro - 06 Blower Housing

GROUP 6-BLOWER HOUSING

CH18,CH20,CH22,CH23,CH25,CH620,CH640,CH670,CH680,CH730,CH740,CH750



ILLUSTRATIONS ARE REPRESENTATIVE - NOT INTENDED TO SHOW ALL DETAILS

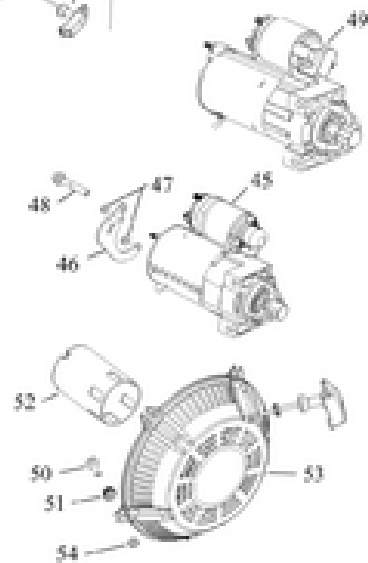
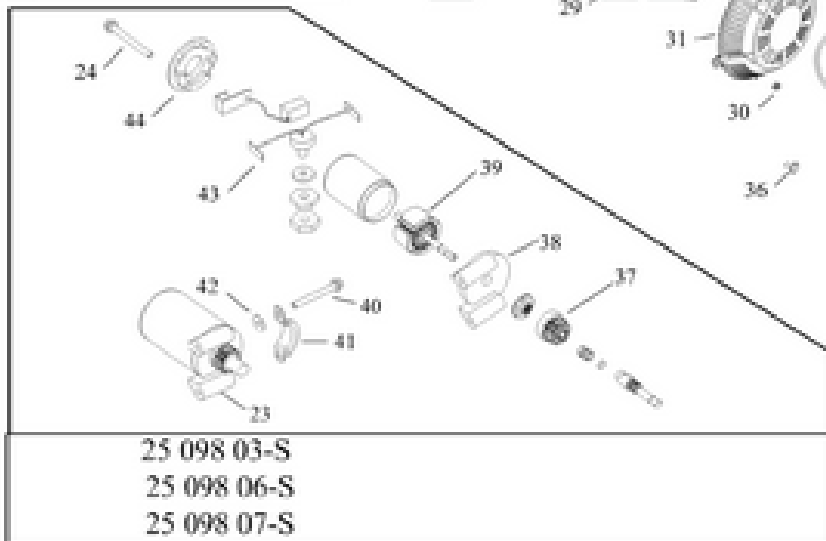
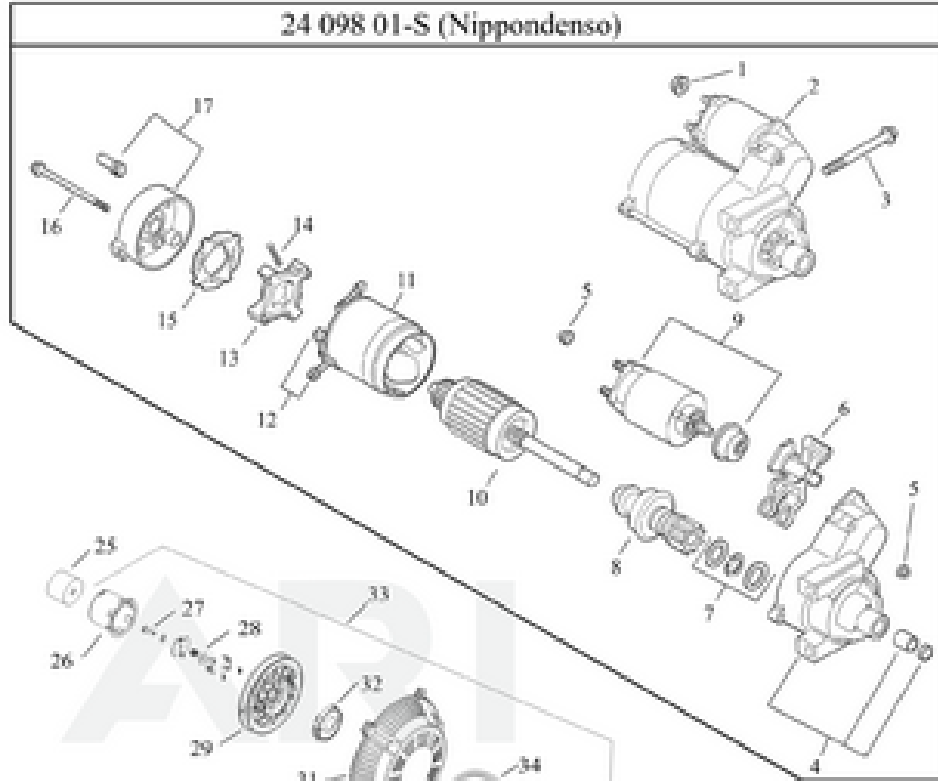
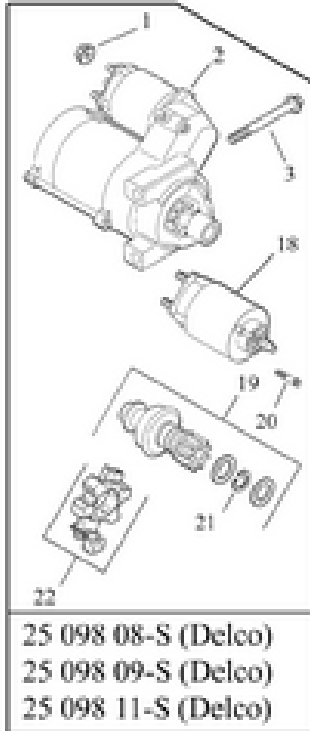
Ref #	Part #	Description	Qty	Context Note
6	25 086 400-S	SCREW, THREAD FORMING	2	
7	24 063 114-S	BAFFLE, VALLEY #1 CYLINDER	1	
8	24 063 85-S	KIT, CYL BAFFEL #1 SIDE	1	
9	25 086 396-S	SCREW, THREAD FORMING	2	
9	25 086 397-S	SCREW, THREAD FORMING	6	
10	24 063 94-S	BAFFLE, VALLEY #2 CYLINDER	1	
11	24 063 88-S	BAFFLE, LEFT BARREL	1	
12	24 146 59-S	KIT, BACKING PLATE	1	
15	24 027 442-S	KIT, BLOWER HOUSING	1	
19	25 086 398-S	SCREW, THREAD FORMING	3	
49	25 086 426-S	SCREW, THREAD FORMING	1	

CH680-3130 Toro - 07 Starting

GROUP 7-STARTER

CH18,CH20,CH22,CH23,CH25,CH620,CH640,CH670,CH680,CH730,CH740,CH750

Service starter components according to the part number printed on the starter. Starter components are NOT interchangeable.



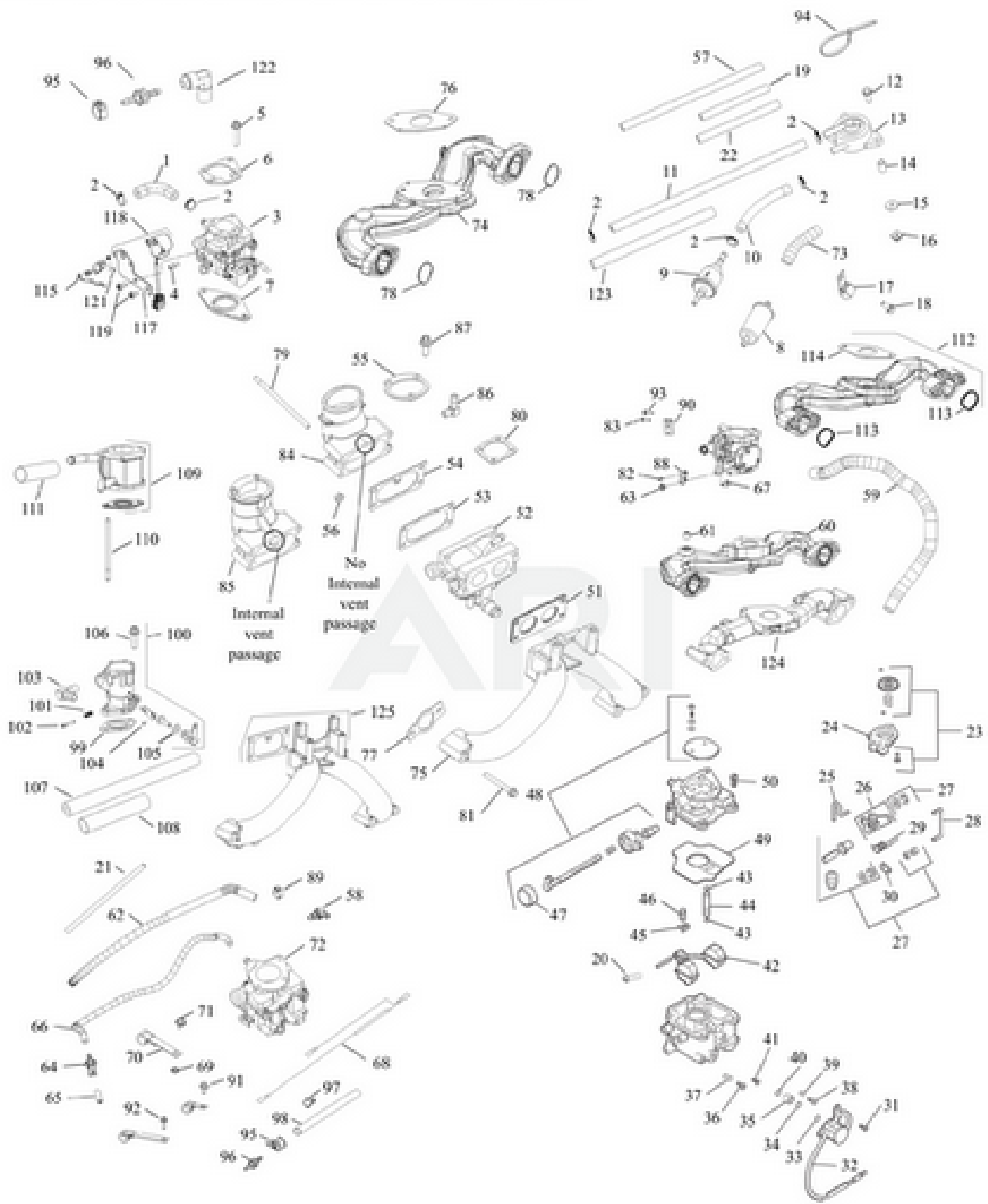
ILLUSTRATIONS ARE REPRESENTATIVE - NOT INTENDED TO SHOW ALL DETAILS

Ref #	Part #	Description	Qty	Context Note
1	M-841080-S	NUT, FLG M8X1.25	1	
2	25 098 21-S	STARTER, SOLENOID SHIFT-(#2509824S)	1	
3	M-851080-S	SCREW, FLG M8X1.25X80	2	

CH680-3130 Toro - 08 Fuel System

GROUP 8-FUEL SYSTEM

CH18,CH20,CH22,CH23,CH25,CH620,CH640,CH670,CH680,CH730,CH740,CH750



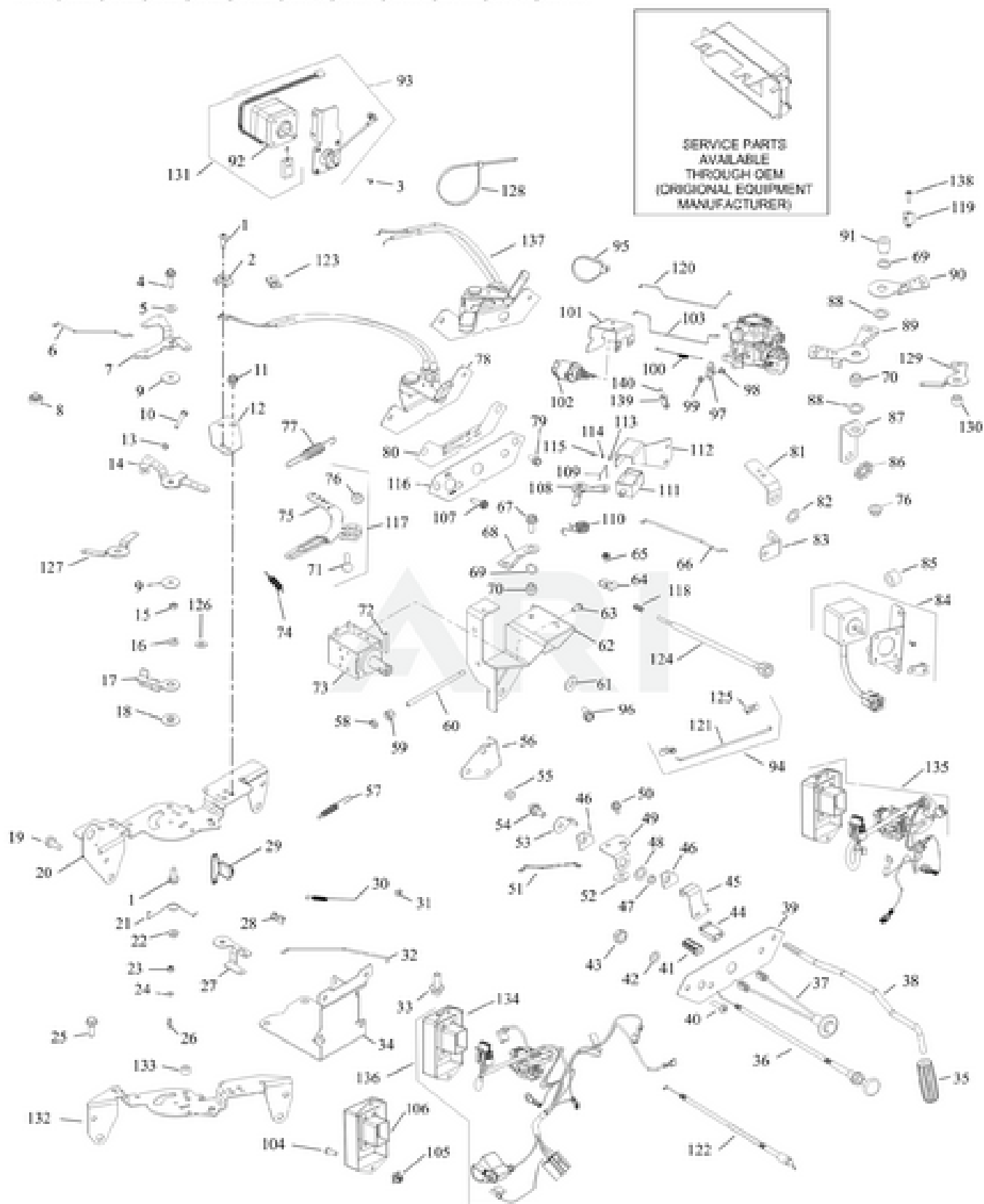
ILLUSTRATIONS ARE REPRESENTATIVE - NOT INTENDED TO SHOW ALL DETAILS

Ref #	Part #	Description	Qty	Context Note
1	25 111 34-S	HOSE,LW PERM.FUEL 24.00"-USE 25 111 81-S	1	
2	25 237 14-S	CLAMP, HOSE (KM)-USE 25 237 31-S	4	
3	24 853 290-S	KIT, CARBURETOR COMPLETE	1	
5	25 086 124-S	SCREW, FLG M6X1.0X25	2	
11	24 353 02-S	LINE, FLEXIBLE FUEL 15 1/2"	1	
12	24 086 12-S	SCREW, TAP M6X1.7X18	2	
13	24 393 16-S	PUMP, FUEL	1	
16	25 100 37-S	NUT, PLASTIC - BLACK	2	
17	48 154 01-S	CLIP, CABLE (KM)	1	
32	24 757 01-S	KIT, SOLENOID	1	
42	24 757 02-S	KIT, REPAIR FLOAT	1	
48	24 757 07-S	KIT, REPAIR CHOKE	1	
62	25 431 22-S	SLEEVE, ANTI-ABRASION	1	
64	25 155 51-S	CONNECTOR, EVAPORATIVE	1	
65	25 173 33-S	CAP, MASKING	1	
66	25 326 28-S	HOSE, EVAPORATIVE	1	
68	24 518 24-S	LEAD, GROUND	1	
69	X-22-11-S	WASHER, INT TOOTH LOCK 1/4"	1	
71	25 086 406-S	SCREW, THREAD FORMING	1	
112	24 164 275-S	INTAKE MANIFOLD W/GASKETS	1	
113	24 153 37-S	O-RING, INTAKE PORT	2	
114	24 041 92-S	GASKET, CARBURETOR (PIM, CH)	1	
NI	24 755 125-S	KIT, HIGH ALTITUDE (4,000 - 8,000 FT)	1	
NI	24 755 201-S	KIT, HIGH ALTITUDE (ABOVE 8,000)	1	
NI	24 757 03-S	KIT, REPAIR CARBURETOR	1	

CH680-3130 Toro - 09 Engine Controls

GROUP 9-ENGINE CONTROLS

CH18,CH20,CH22,CH23,CH25,CH620,CH640,CH670,CH680,CH730,CH740,CH750



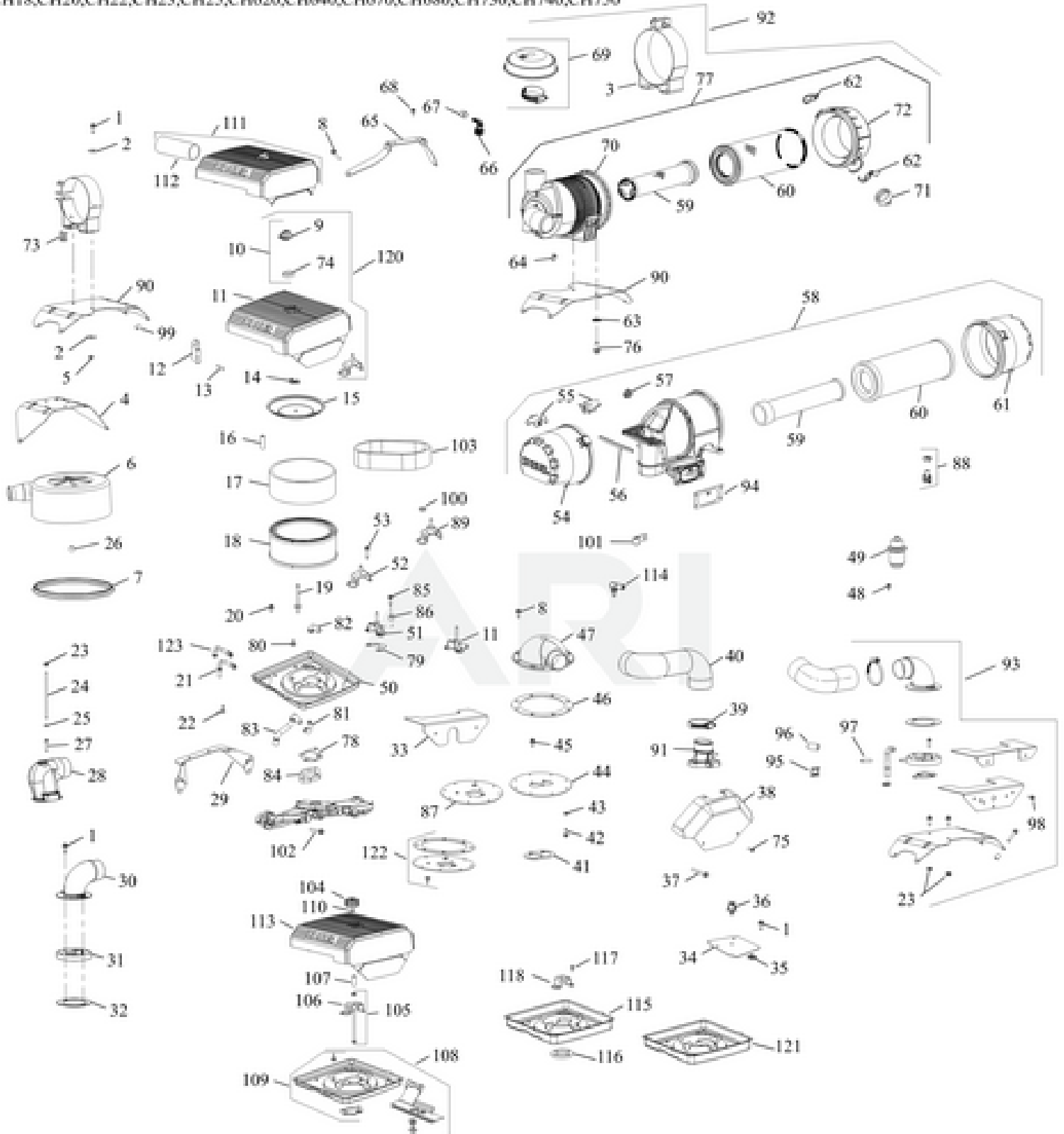
ILLUSTRATIONS ARE REPRESENTATIVE - NOT INTENDED TO SHOW ALL DETAILS

Ref #	Part #	Description	Qty	Context Note
6	24 079 21-S	LINKAGE, CHOKE	1	
19	25 086 397-S	SCREW, THREAD FORMING	4	
28	25 158 11-S	BUSHING, THROTTLE LINKAGE	1	
30	24 089 01-S	SPRING, LINKAGE	1	
31	25 158 08-S	BUSHING, LINKAGE RETAINING	1	
32	24 079 01-S	LINKAGE, THROTTLE	1	
71	24 211 03-S	BOLT, RD HD SQ NECK M6X1.0X25	1	
75	24 090 57-S	LEVER, GOVERNOR - (#2409069S)	1	
76	M-641060-S	NUT, FLG M6X1.0	1	
77	24 089 15-S	SPRING, GOVERNOR	1	
117	24 090 69-S	LEVER, GOVERNOR ASSEMBLY	1	

CH680-3130 Toro - 10 Air Intake

GROUP 10-AIR INTAKE

CH18,CH20,CH22,CH23,CH25,CH620,CH640,CH670,CH680,CH730,CH740,CH750



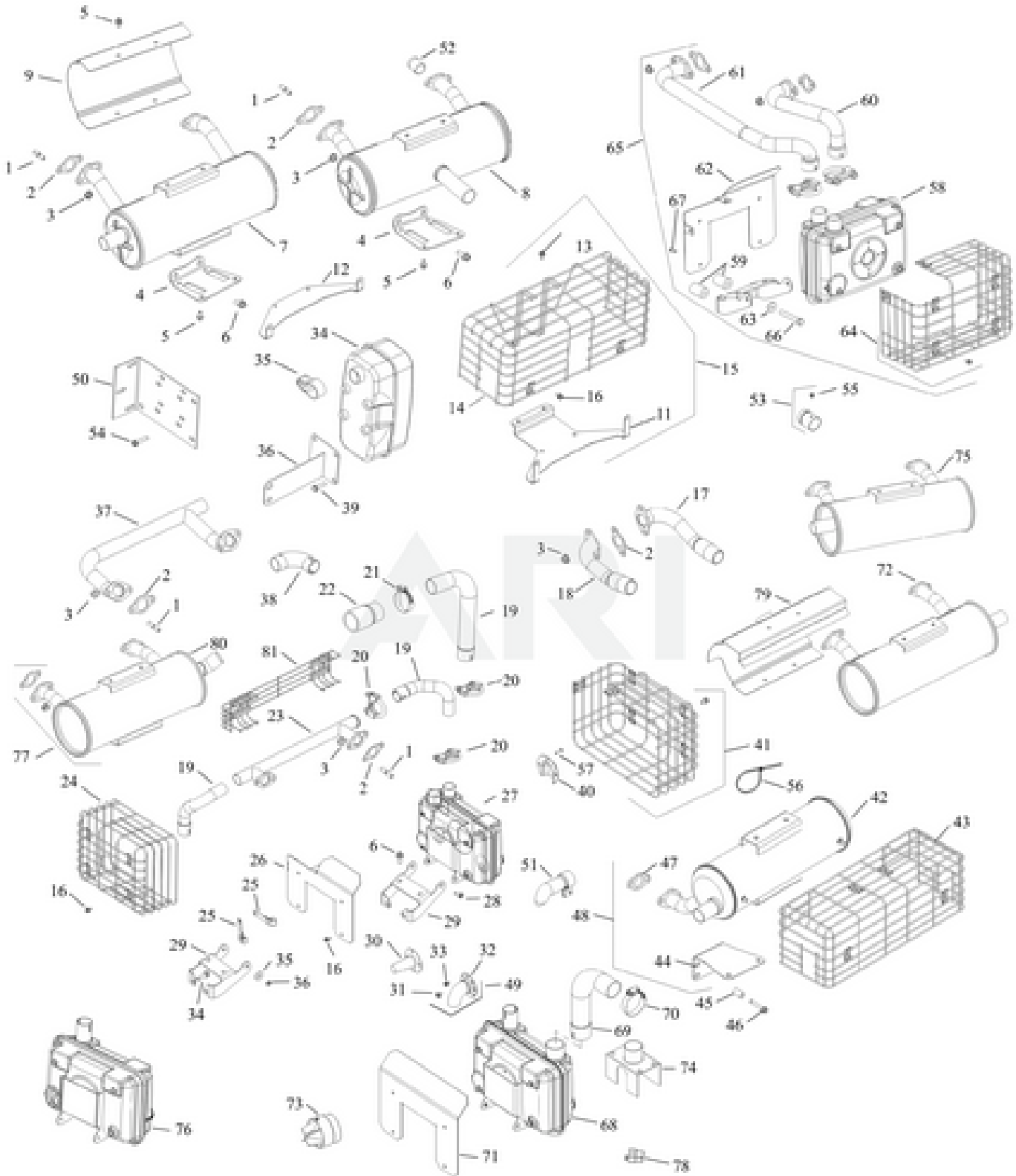
ILLUSTRATIONS ARE REPRESENTATIVE - NOT INTENDED TO SHOW ALL DETAILS

Ref #	Part #	Description	Qty	Context Note
9	25 341 04-S	KNOB, COVER	1	
10	54 755 01-S	KIT, KNOB W/SEAL	1	
11	24 096 67-S	COVER, AIR CLEANER	1	
14	12 100 01-S	NUT, WING	1	
15	24 096 01-S	COVER, INNER AIR CLEANER	1	
16	230046-S	SEAL BREATHER	1	
17	24 083 05-S	PRE-CLEANER (HIGH)	1	
18	24 083 03-S	AIR FILTER ELEMENT	1	
20	24 086 53-S	SCREW, FLG THD FRM M6X1.0X16	3	
29	24 126 130-S	AIR CLEANER BRACKET	1	
48	25 086 400-S	SCREW, THREAD FORMING	2	
50	24 094 88-S	KIT, AIR CLEANER BASE	1	
52	24 126 226-S	BRACKET, AIR CLEANER	1	
74	24 153 20-S	O-RING	1	
78	24 041 06-S	GASKET, AIR CLEANER BASE	1	
80	24 139 07-S	PLUG, HOLE	1	
96	25 173 10-S	MASKING CAP	1	
120	24 743 05-S	KIT, AIR CLEANER COVER	1	

CH680-3130 Toro - 11 Exhaust

GROUP 11-EXHAUST

CH18, CH20, CH22, CH25, CH620, CH640, CH670, CH680, CH730, CH740, CH750



ILLUSTRATIONS ARE REPRESENTATIVE - NOT INTENDED TO SHOW ALL DETAILS

Ref #	Part #	Description	Qty	Context Note
1	25 072 24-S	STUD	4	
2	24 041 49-S	GASKET, EXHAUST	3	
3	M-841080-S	NUT, FLG M8X1.25	4	
46	M-651040-S	SCREW, FLG M6X1.0X40	4	